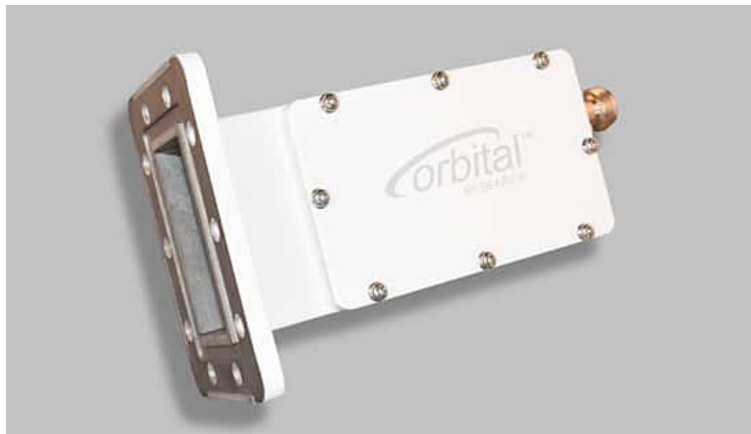
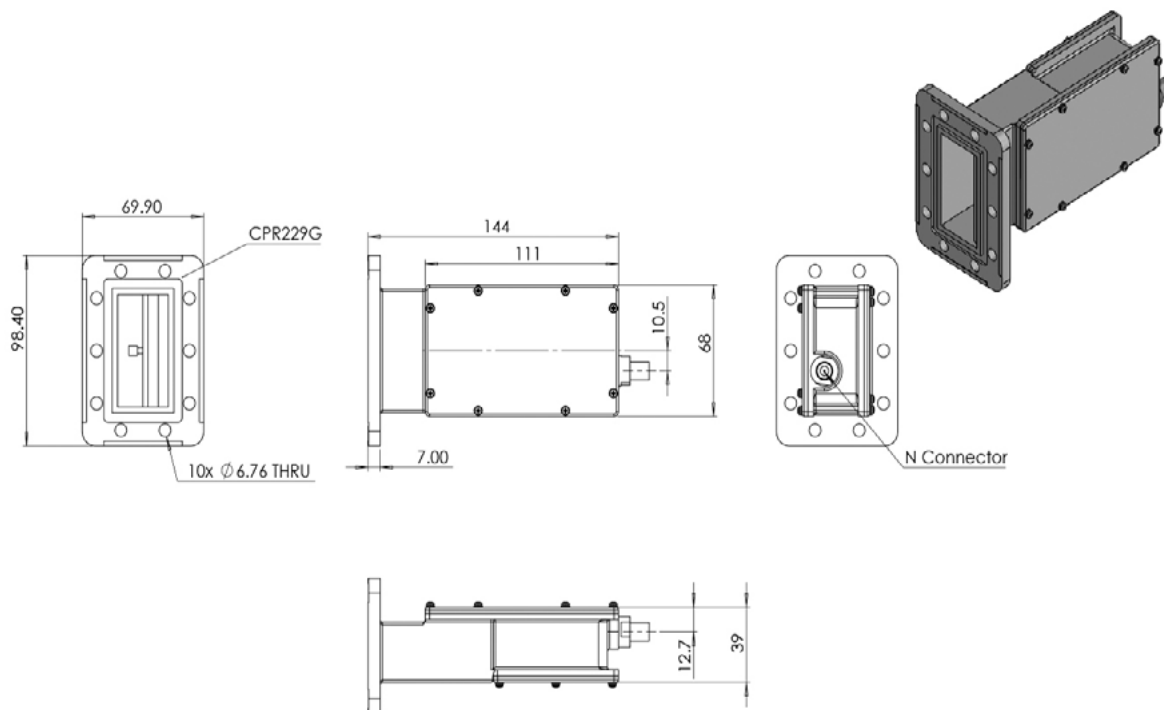


## Orbital 3400X Off-the-Shelf External Reference C-Band LNB



This external reference C-band LNB delivers excellent phase noise and local oscillator (LO) stability. It operates from 3.40 to 4.20 GHz, provides 60 dB of gain and delivers a noise temperature of 25K. Built for professional SATCOM and available in 500, 600 and 800 MHz bandwidths, this high-quality off-the-shelf LNB is perfect for most C-band applications – particularly where rain fade is a concern.

- Professional C-band LNB at an entry-level price
- External 10 MHz reference
- Superior noise figure and gain flatness
- Excellent choice to mitigate rain fade



## FREQUENCY RANGE

RF Frequency Band (GHz)	3.4 to 4.2
IF Frequency Band (MHz)	950 to 1750
Bandwidth (MHz)	500, 575 or 800
Local Oscillator (GHz)	515
Noise Figure (dB)	25k @ 25C
LO Stability	Locked to external reference
LO Phase Noise	Locked to external reference

## 10 MHz REFERENCE

Insertion	via input connector
Level	-8 to 0 dBm

## VSWR

Input	3.0:1 nominal
Output	2.5:1 nominal @ 75 Ohm

## GAIN

Gain (dB)	60 nominal
Ripple	+/- 1 dB over any 36 MHz

## OTHER SPECS

Image Rejection	> 45 dBc max
1 dB Compression (dBm)	+10 dBm min
OIP3 (dBm)	+20 dBm min

## ENVIRONMENTAL

Operating Temp	-40C to +60C
Non-Operating Temp Range	-40C to +70C
Humidity	100% condensing
MTBF	> 700,000 hours
Standards	RoHS and REACH

## POWER<sup>1</sup>

Current Draw	300 mA max
Input Voltage Range	+12 to + 24 VDC

## MECHANICAL

Weight (grams)	580
Length (mm)	144
Width (mm)	68
Depth (mm)	39
Input Connector	WR-229G
Output Connector	F, N

Please contact Orbital Research for ordering information: [sales@orbitalresearch.net](mailto:sales@orbitalresearch.net)

<sup>1</sup> Power supplies must meet 100 mV maximum ripple and noise