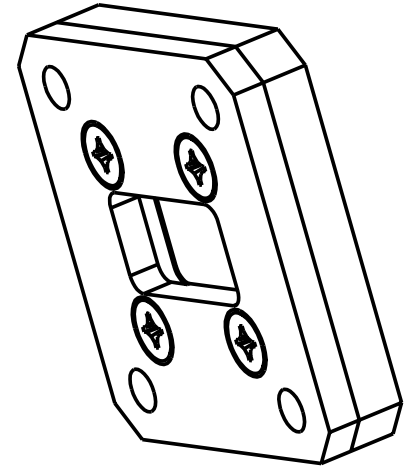


REVISION			
REV	DESCRIPTION	DATE	APP
0	FIRST RELEASE	Dec 20,01	
1	ECN 159-06	SEP 25/06	
2	ECN 141-07	JUN 15/07	
3	ECN 106-11S	JUN 02/11	



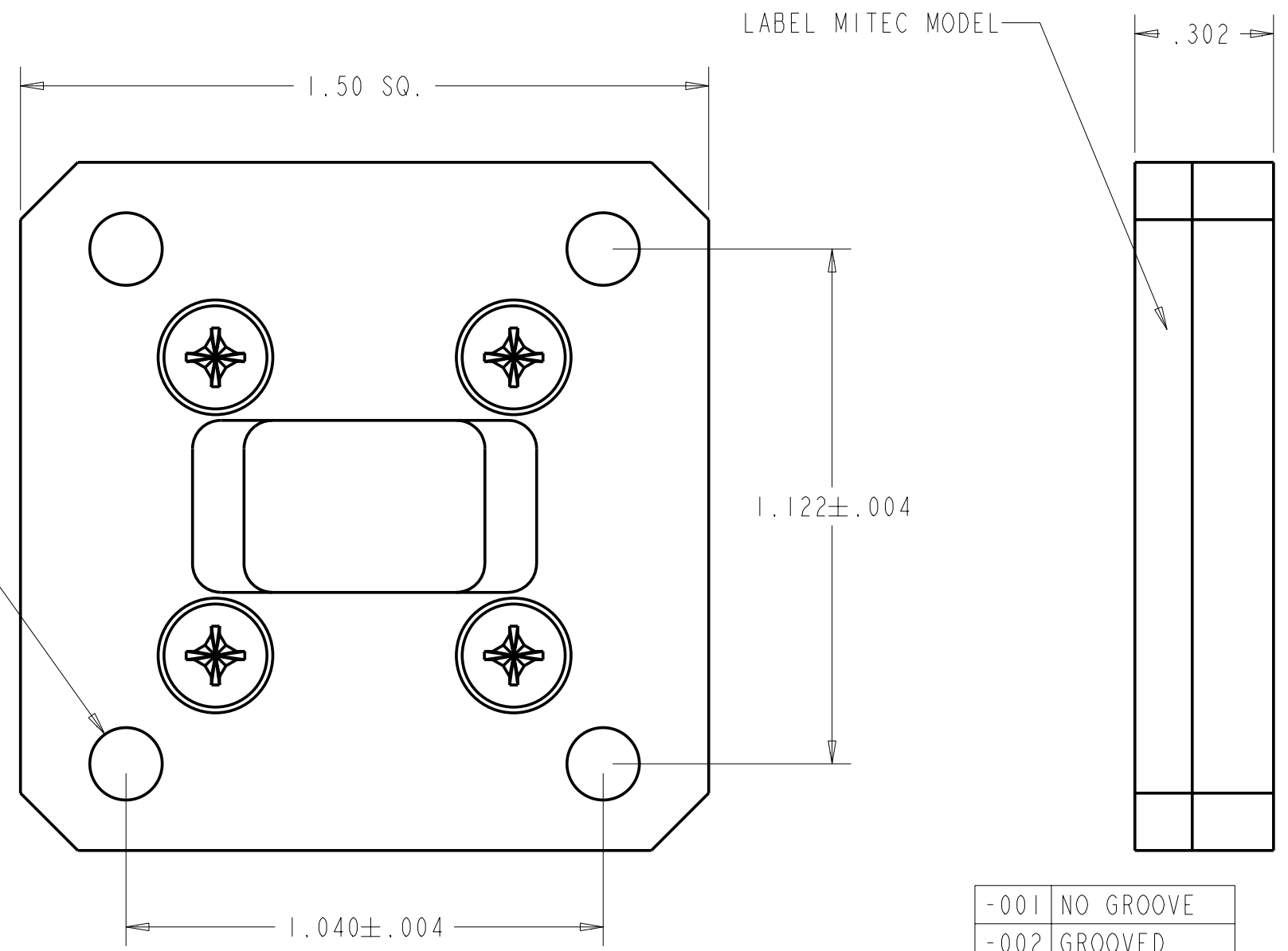
SCALE 1.500

DASH 001 AND 002 - $\varnothing .144$
4 PLACES
DASH 003 AND 004 - DRILL 0.158
REAM AFTER ASS'Y OR PLATING
0.1620/0.1608


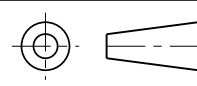
ELECTRICAL SPECIFICATIONS

FREQUENCY: 12.75-14.5 GHz
R.L.: 24dB (1:13 VSWR) EACH SIDE
POWER: 4 kW, CW
PRESSURE: 15 PSI

EXTENDED FREQ : 12.75-14.8 GHz
R.L. : 23dB



-001	NO GROOVE
-002	GROOVED
-003	UBR120 TYPE
-004	PBR120 TYPE

DRAWING		PART		UNLESS OTHERWISE SPECIFIED ALL DIMENSIONS ARE IN INCHES			TITLE:				
NO.	14163-000MD	14163-000MD		BASIC DIMENSIONS	2 DEC.	3 DEC.	PRESSURE WINDOW, WR75, H.P. 12.75-14.5 GHz				
REV	3	2		UP TO 6.00	±.02	±.005	MATERIAL:				
STATE	RELEASED	RELEASED		ABOVE 6.00 TO 24.00	±.03	±.010	FINISH:				
ORIGINATOR:	S. MOLINA	DATE:	Sep 25, 06	ABOVE 24.00	±.06	±.015	PAINT BLACK 37038 FED-STD-595, SILVER PLATE QQS-365 TYPE 2 GRADE A 200-300ui				
DESIGNER:	M. SMALLEY	DATE:	Sep 25, 06	ANGULAR DIMENSIONS	±1/2 DEG.		This drawing is private and confidential and is supplied on the express condition that it is not to be used for any other purpose or copied or reproduced in any form or communicated to any other person without the written consent of : MITEC TELECOM INC.				
				FRACTIONAL DIMENSIONS	±1/64		 CAGE IDENT. NO: 38494 SIZE: B DRAWING NO: 14163-000MD				
				SURFACE FINISH	63		PROJECT NO: / JOB NO: NEXT ASSEMBLY: 14163-000AD SCALE: 3.000 SHEET: 1 OF 1				
				DO NOT SCALE DRAWING							